

SUPER T

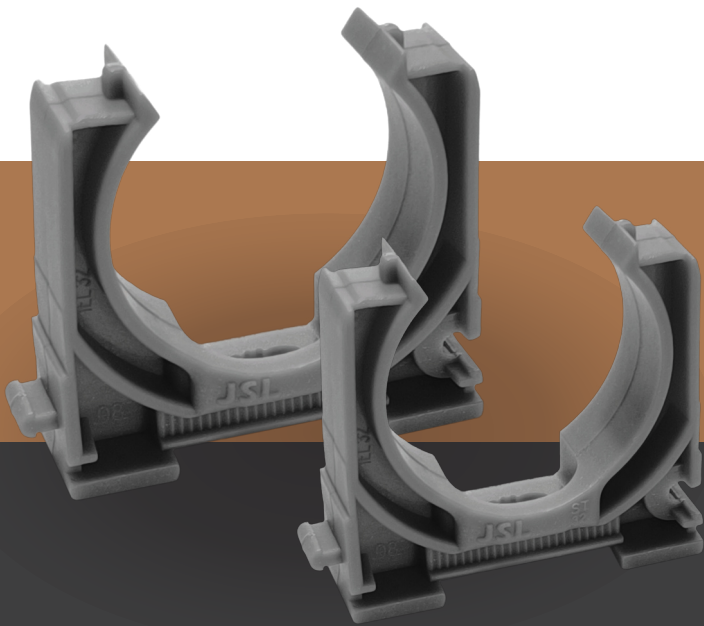


NEW

RAL NUMBER

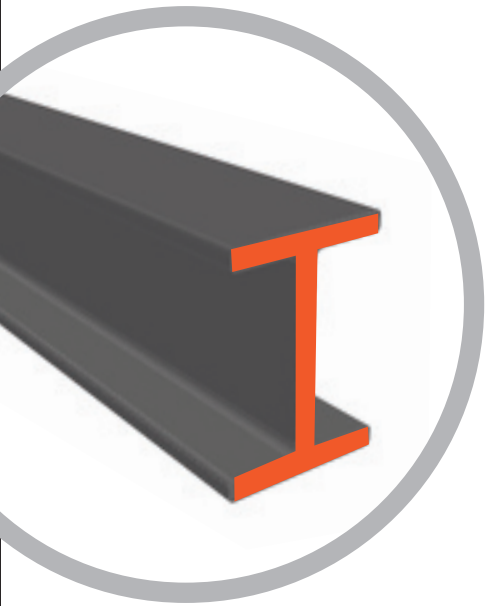
7037

JSL



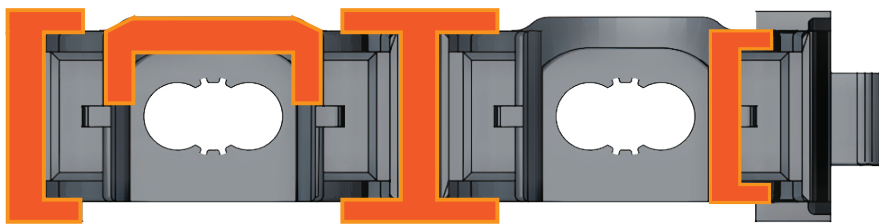
SUPERT

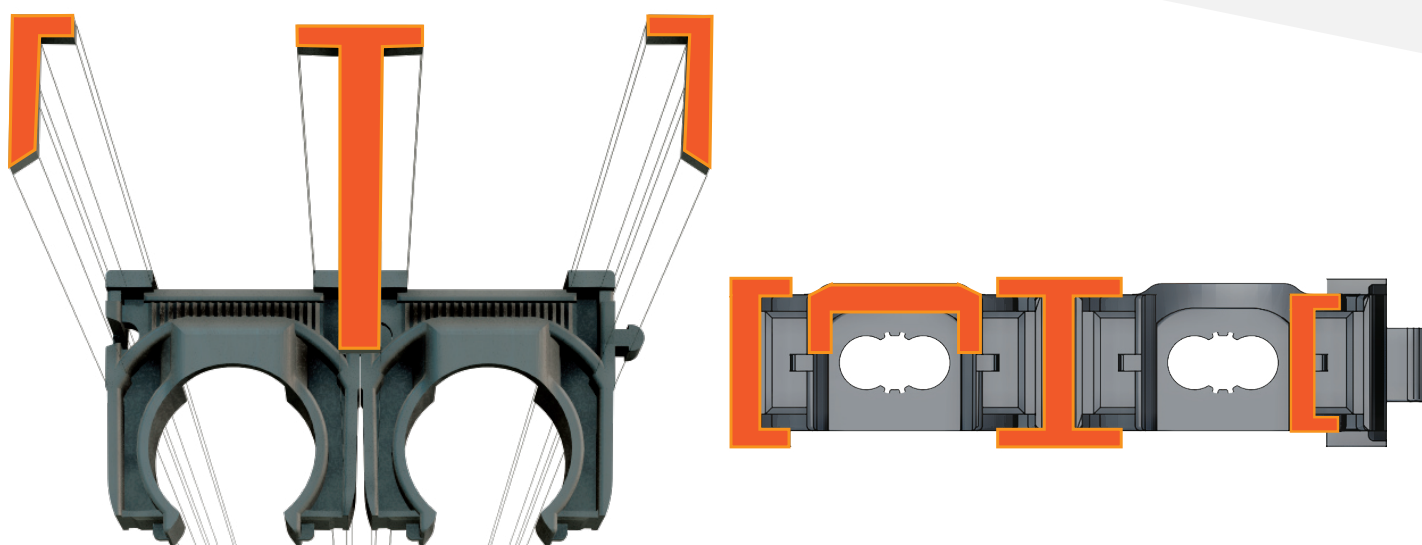
Super-T is JSL's cutting edge evolution, regarding our vast Fixing Materials Range.



This new series presents a modern design, focused on increasing functionality and versatility without forgetting the compatibility with previous saddle series and accessories.

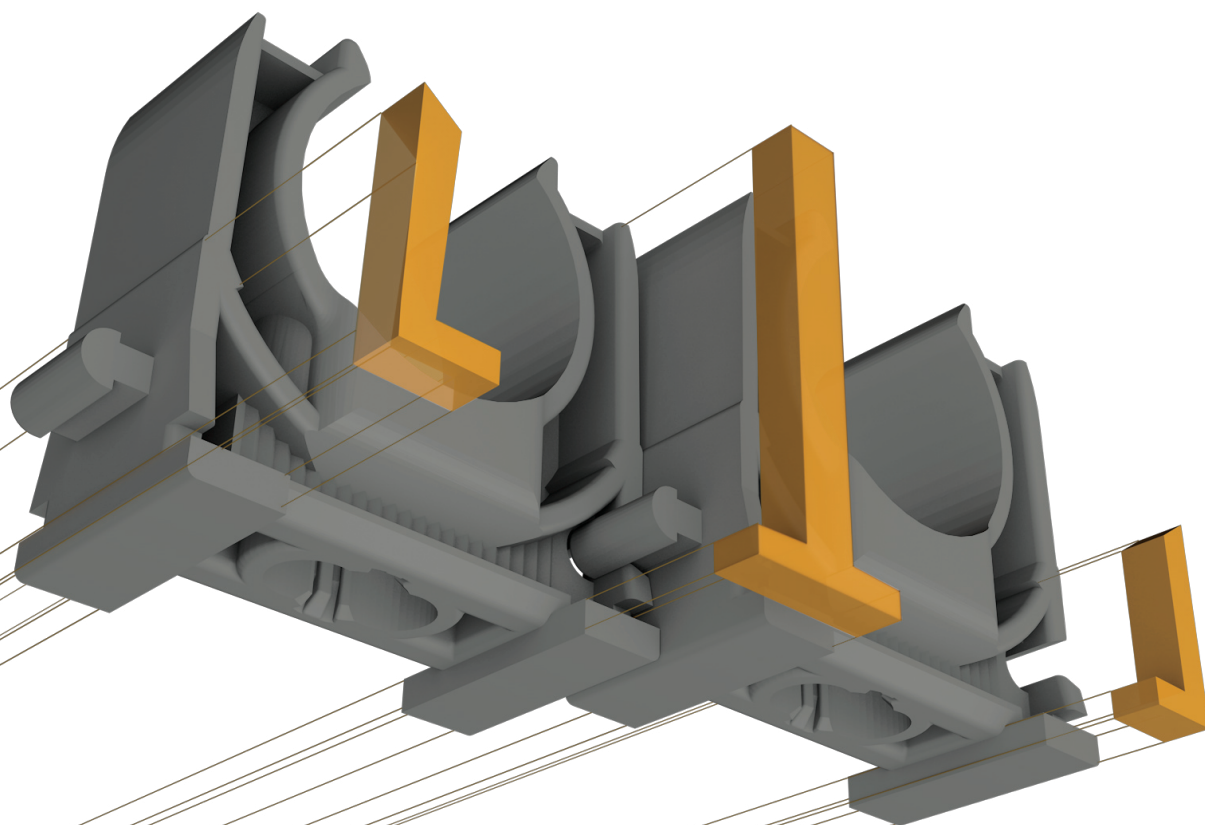
Without compromising reliability, strength, and performance, the truncated design is inspired by the knowledge in the field of construction and engineering, which lead us to design a saddle with a body structure similar to structures constructed using T-beams.





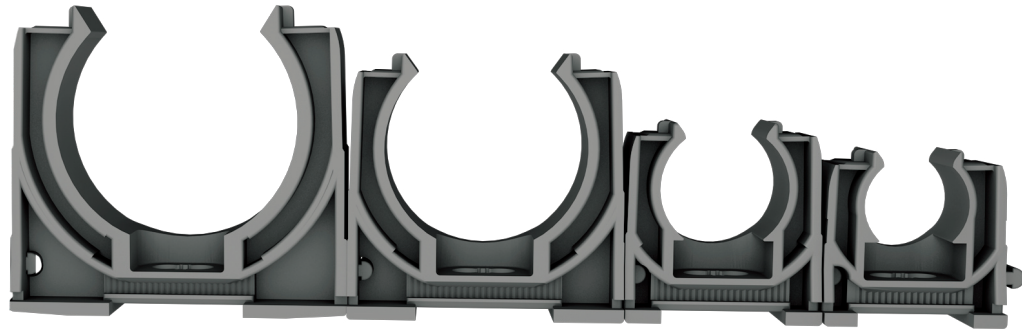
So the Super-T body structure is based on the "T-Beam concept", a validated design regarding its resistance to different forces such as Traction, Tension, and Compression.

Whenever the saddle is required to respond to these forces, the material in these areas is highly effective and reliable.



NEW

SUPER-T SERIES REFERENCES



ST-32

ST-25

ST-20

ST-16

And Corresponding Covers

STC-32

STC-25

STC-20

STC-16



DOWELS AND FIXING ACCESSORIES

NATIVES

COMPATIBLE

COMP.
903

COMP.
215

NATIVES
PST-5

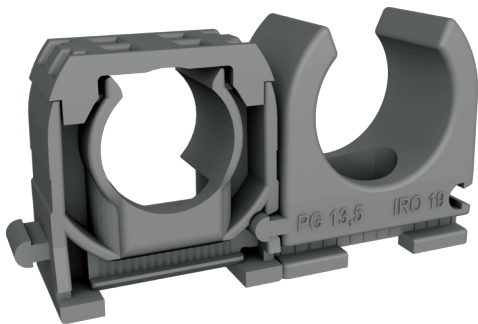
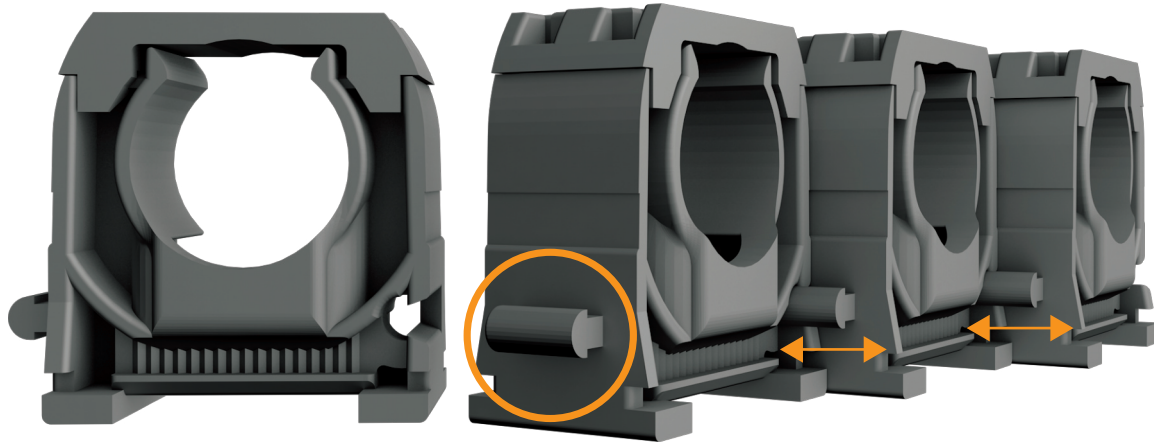
NATIVES
PST-7

NATIVES
PSTB-4

NATIVES
PSTB-7



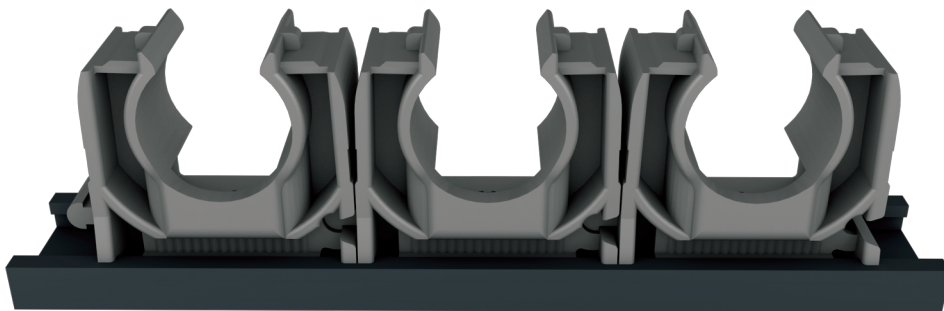
STACKABLE



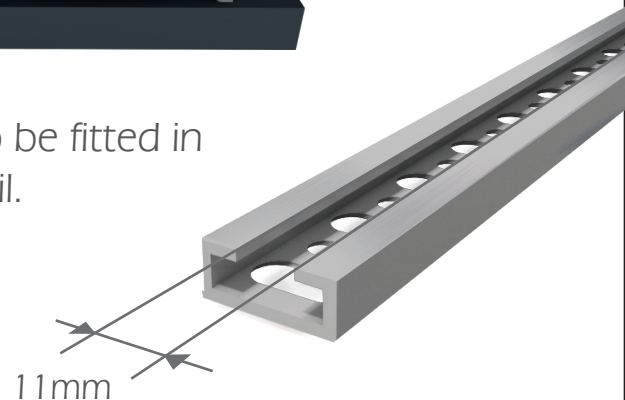
The Super-T saddles can be grouped through the side inserts, allowing parallel installations

Retro-Compatibility
The Super-T Range are also retro stackable, meaning they can be paired with the previous JSL saddle series

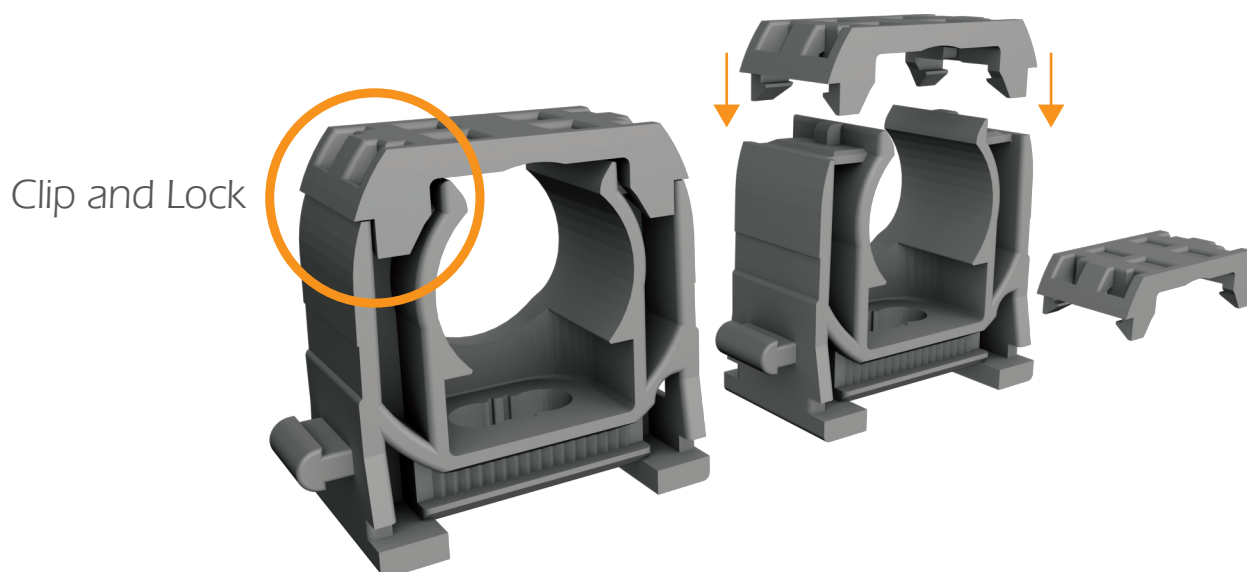
METAL RAIL FITTING



The Super-T is also designed to be fitted in the 2060-pf metal rail.



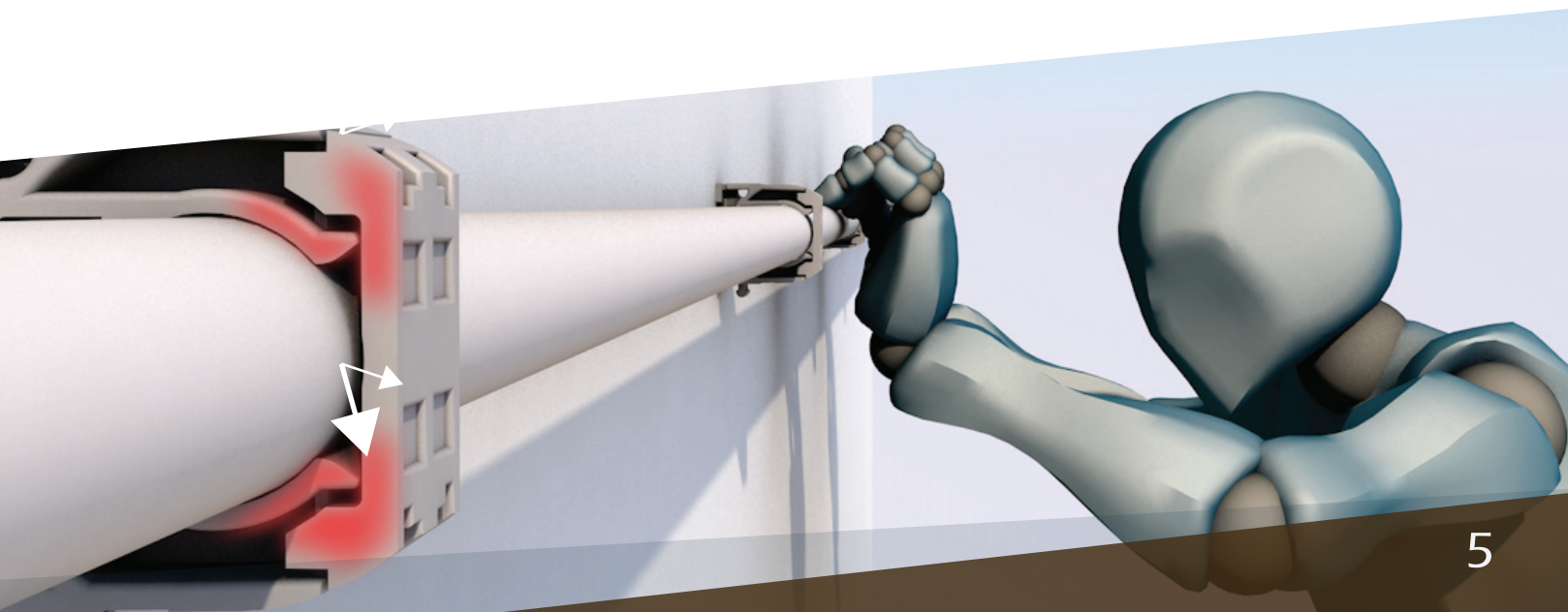
STC COVER



This clip and lock cover, can guarantee the non-removal of the conduits when the installation is reachable by hand.

When the pipes or cables are pulled, the sides of the saddle exert pressure on the cover by locking it and preventing its removal by holding the installation firmly in place.

The covers have different sizes according to the saddle they are intended for, so for the ST-32, ST-25, ST-20, ST-16, the corresponding covers have the following references, STC-32, STC-25, STC-20 and STC-16.



M6 DOWEL IN GALVANIZED ZINC COATED WHITE STEEL



Hardened steel



White Zinc plated



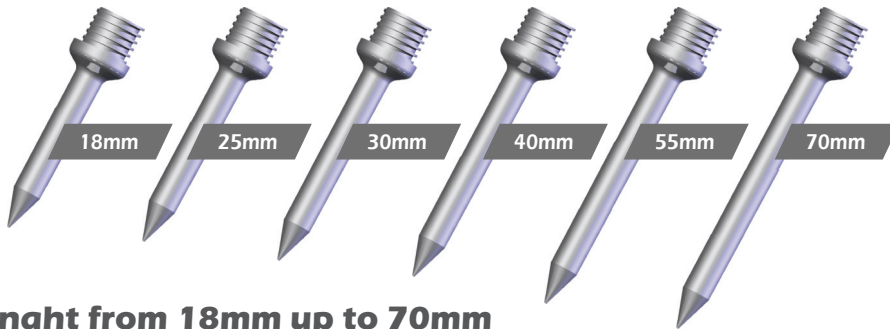
Wide collar

CENTRAL POSITION

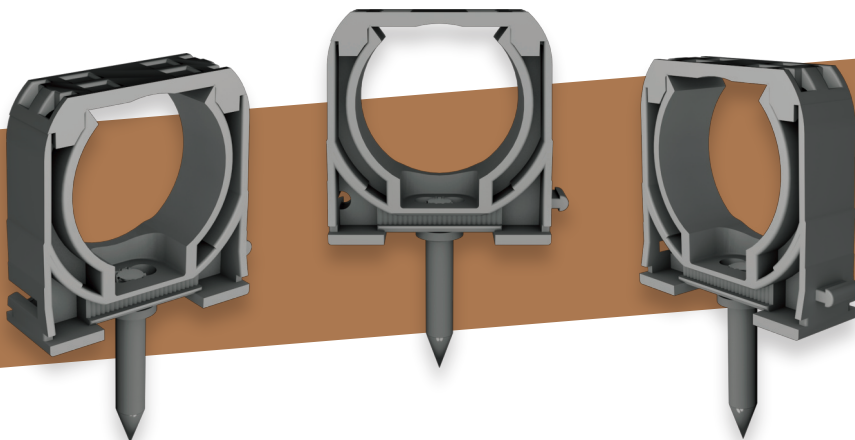
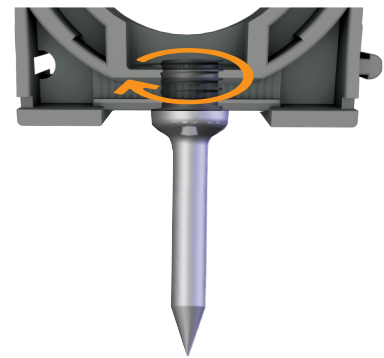


The 903 Offers one central position when installing the saddles.

The 903 Steel plug is a good choice when the installation demands an extra secure grip. For a quick installation, it can be used with a concrete nail gun optimizing the installation time.

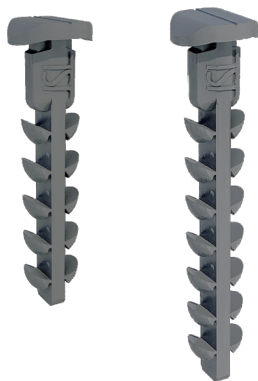


Length from 18mm up to 70mm



PST-5 E PST-7 QUICK SIMPLE DOWELS

CENTRAL POSITION



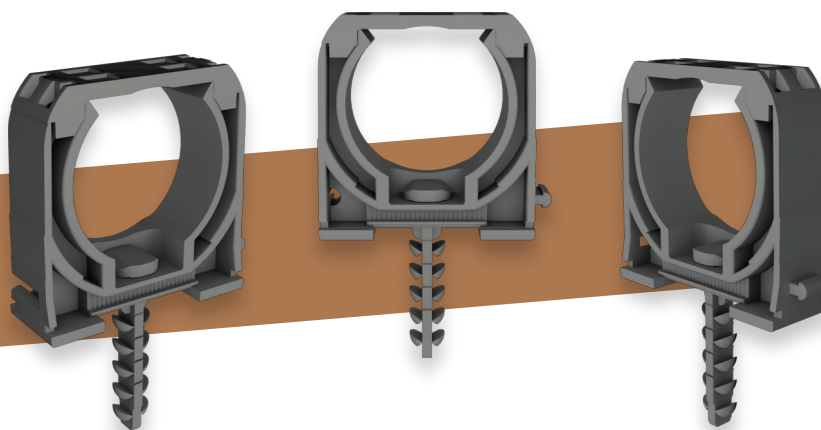
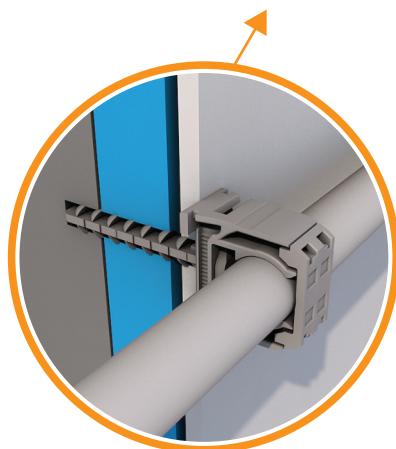
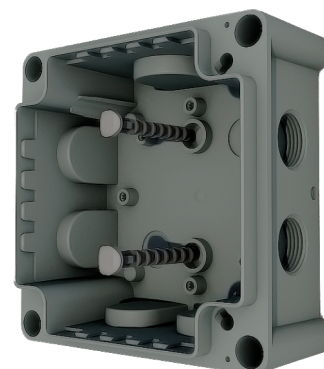
Offers one position when installing the saddles.

Quick Dowels with 27mm (medium) and Quick Dowels with 42mm (long) for installation on walls (concrete or wood with 6mm drill bit).

In the case of Installations on isolated plaster walls (for instance walls isolated using wall mate) the PST-7 is better and more suited. Its longer measure can easily penetrate the three layers to get a permanent grip on the last layer.

PST-5 and PST-7 fast dowels are also suitable for the installation / fixing of the Boxline series in concrete.

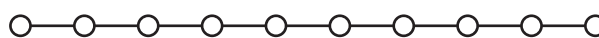
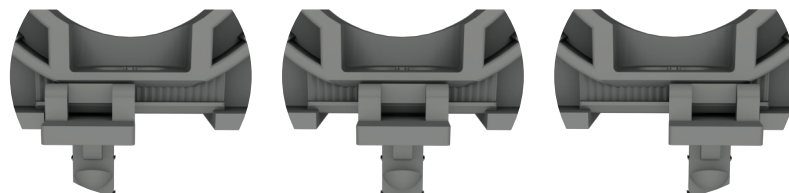
With these fast dowels it is possible to avoid the use of metal screws.



PSTB-4 AND PSTB-7 QUICK DOWEL WITH ADJUSTABLE BASE



10 POSITIONS MICRO ADJUSTMENT

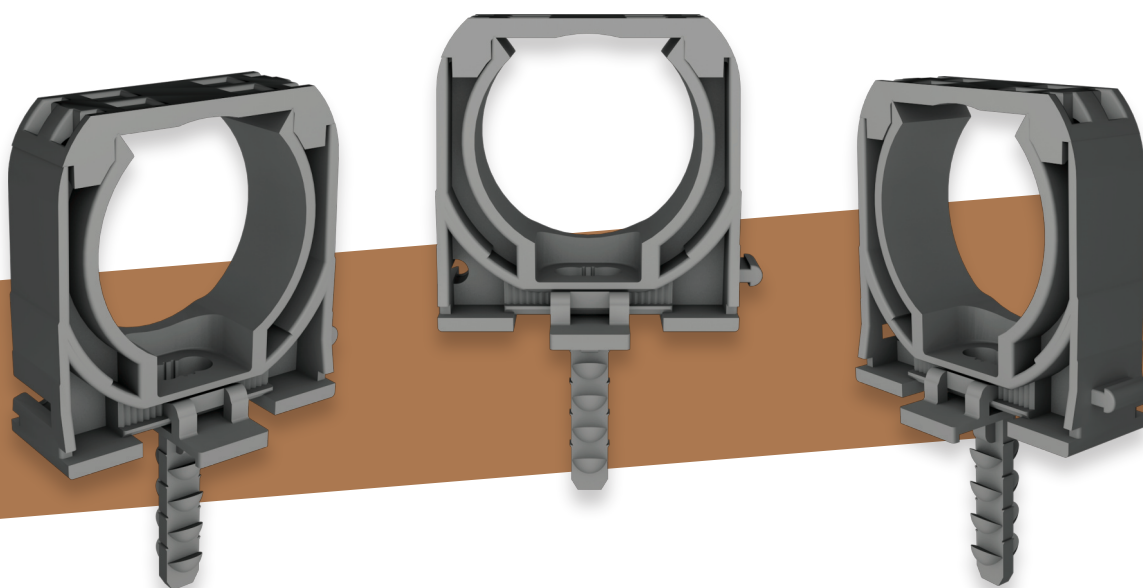


Micro Adjustment with 10 steps

Quick Dowel with adjustable base with 27mm (medium) and 42mm (long) for installation on walls (concrete or wood with 6mm drill bit).

The PSTB-4 and PSTB-7 offer the possibility of multiple positions relying on micro adjustment, in order to correct any conduit installation deviations.

This is achieved by the built-in micro-adjustment slider that counts with 10 different micro steps, allowing the installer to adjust the saddle for possible deviations.

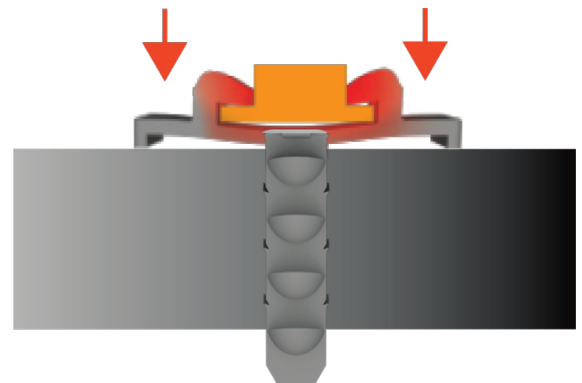


PSTB-4 AND PSTB-7 QUICK DOWEL WITH ADJUSTABLE BASE

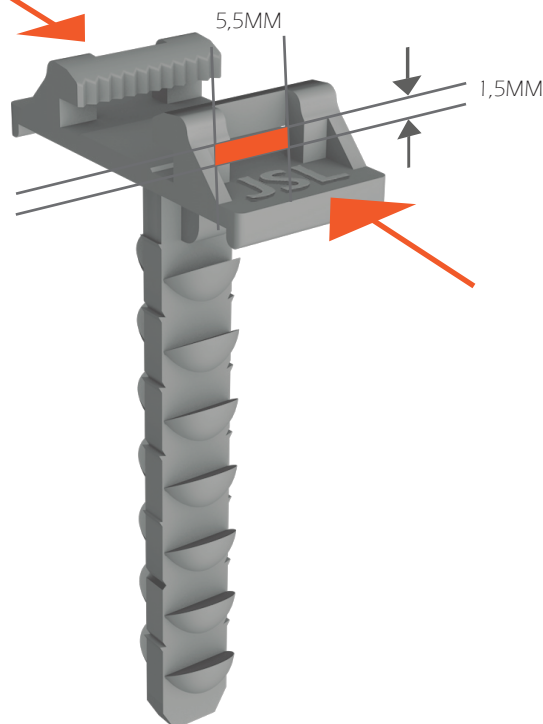


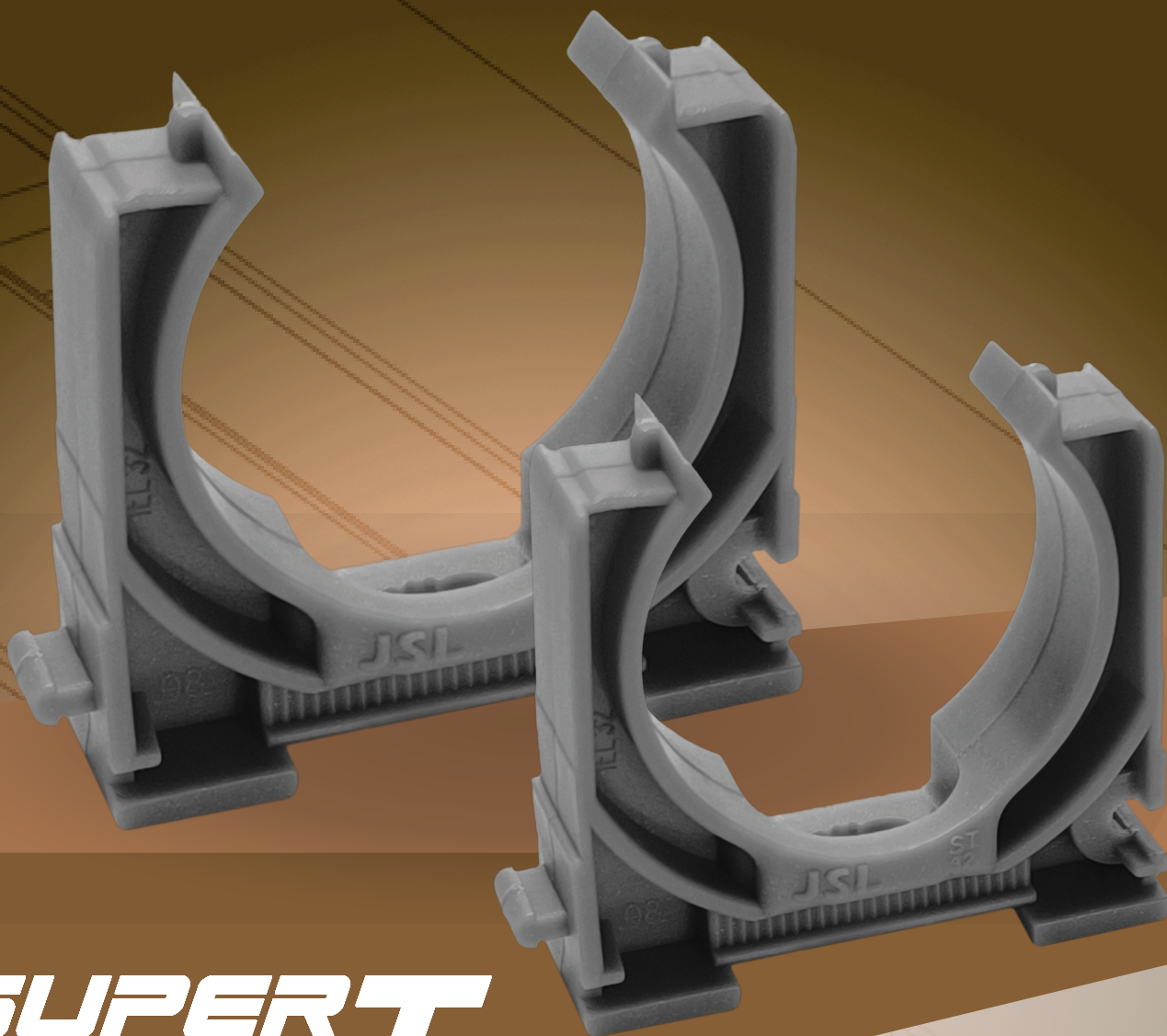
By allowing the base of the qQuick Dowel with adjustable base to bend a pair of millimeters, it causes opposing forces in the clipping areas when it is being fixed, the "Dowel and Base" set when entering the wall hole (Ø6mm) adding an extra amount of clamping pressure.

EXTRA CLIPPING GRIP



The PSTB-4 and PSTB-7 are also fitted to receive cable ties with they're built-in slots. More specifically the cable tie 467 or others with similar sections up to 5.5x1.5mm





SUPERT

For more information please visit:
www.jsl-online.com/en/super-t



WWW.JSL-ONLINE.COM

INFO@JSL-ONLINE.NET
+351 21 434 4670

RUA MÁRIO CASTELHANO, N°3
ZONA INDUSTRIAL QUELUZ DE BAIXO
2730 - 120 BARCARENA - PORTUGAL

JSL
Material Eléctrico

60+
YEARS